

# TC-NC262/4S

2MP Starlight Super Mini IR Dome Camera

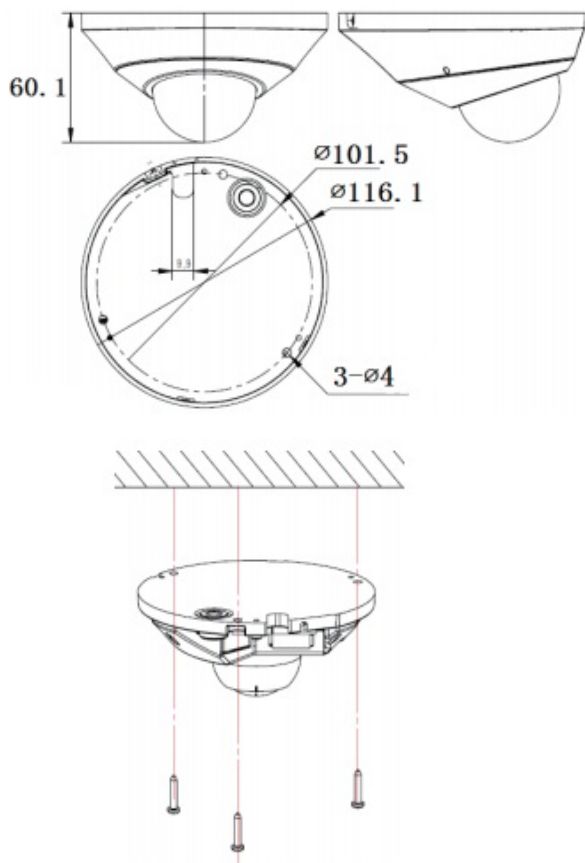
# Tiandy



## Features

- Starlight Ultra Low Light 0.002lux
- Cable Free Design
- S+265 compression
- S+265, H.265/H.264 HP/MP/BP/M-JPEG Codec
- Smart IR, IR Range: 15m
- Support Wifi
- Interface Built-in Mic, Audio in/out 1/1, Alarm in/out 1/1, MicroSD Card Slot, up to 128GB, Reset Button
- TVS 6000V, Lightning/Surge Protection: (Power 2000V, RJ45 1000V), IK10
- Operating Conditions -35°C ~ 60°C (IR OFF) / -35°C ~ 40°C (IR ON), 0 ~ 95% RHG
- CE, FCC

## Dimensions



Camera	
Image Sensor	1/2.8" CMOS
Core Processor	ARM9 Architecture
Operating System	Embedded Linux
Signal System	PAL/NTSC
Min. Illumination	Color: 0.002 Lux @(F1.2, AGC ON) B/W: 0.001 Lux @(F1.2, AGC ON); 0 Lux with IR
Shutter Time	1s ~ 1/100000s
Lens	2.8mm/4mm, Angle of View: 113.5°/83.3°
Lens Mount	φ12
Auto Iris	N/A
Day& Night	Dual IR Cut Filter with Auto Switch
Wide Dynamic Range	140 dB
Digital Noise Reductio	3D DNR
S/N Ratio	>60dB

Compression Standard	
Video Compression	S+265/H.265/H.264H/H.264M/H.264B/MJPEG
Video Bit Rate	32Kbps~16Mbps
Audio Compression	G.711A/G.711U/ADPCM/AAC
Audio Bit Rate	G711 8KHz, 64kbps ADPCM 8KHz, 32kbps ADPCM 8KHz, 32kbps

Image	
Max. Image Resolutio	1920x1080
Frame Rate	50Hz 25fps (1920x1080), 25fps (1280 × 960), 50fps (1280 × 720) 60Hz 30fps (1920x1080), 30fps (1280 × 960), 60fps (1280 × 720)
Triple Stream	Mainstream:1080P(1920x1080)
	Substream:D1(704x576)
	3rd stream:720P(1280x720)
Image Settings	Brightness, Saturation, Contrast, Sharpness, Image Enhancement, Flip Mode
HLC	Y
Smart Defog	Y
Corridor	Y, Available for 720P and Above
EIS	Y
ROI	4 Zones
Privacy Mask	4 Zones
Picture Overlay	200 × 200, BMP 24bit, Zone Configurable
OSD	16×16, 32×32, 24×24, 48×48, 64×64, 96×96 Size Letters Such as Week, Date, Time, Total 5 Regions

Network	
Browser	IE8 and above, Firefox24 and above
Network Storage	FTP
NTP	Y
ANR	Y, Auto store video in SD card when NVR disconnected, and upload video to NVR when resumed connection(Only Support Tiandy ANR NVR)
Video Analytics	Tripwire/Double Tripwire/Perimeter/Object Abandon/Object Lost/Running/Loitering/Parking/Crowd/Audio Abnormal Detection/Video Abnormal Detection
Alarm Trigger	Motion Detection/IP Conflict/MAC Conflict/Port Alarm/Mask Alarm
Protocols	IPV4/IPV6/HTTP/802.1x/FTP/SMTP/UPnP/SNMP DNS/DDNS/NTP/RTSP/TCP/UDP/DHCP/PPPoE HTTPS/ARP/RTP/QoS/BONJOUR/MULTICAST/ICMP/IGMP
User Permission	4 Level/8 Users
Remote Connection	5 Users Access at the Same Time
System Compatibility	ONVIF (Profile S), SDK, CGI

Interface	
Audio Input	1-ch, Built-in Mic
Audio Output	1-ch
Communication Interface	1-ch RJ45 10W/100M Ethernet Interface Wifi (IEEE 802.11b/g/n)
Alarm Input	1-ch
Alarm Output	1-ch
Video Output	N/A
On-board Storage	MicroSD Slot, Up to 128GB
Reset Button	Y
Extension	N/A

General	
Language	English, Spanish, Korean, Italian, Turkish, Thai, Russian, Traditional Chinese, Simplified Chinese, Polish, French
Operating Conditions	-35°C ~ 60°C (IR OFF) / -35°C ~ 40°C (IR ON), 0 ~ 95% RHG
Power Supply	DC12 V ± 10%, PoE (802.3af)
Power Consumption	Max. 5W(IR OFF) (ICR Instant Switch 10W) Max. 8W(IR ON)
Circuit Protection	TVS 6000V, Lightning/Surge Protection: (Power 2000V, RJ45 1000V)
Impact Protection	Only for Indoor Installation, IK10
IR Range	15m
IR LEDs	10pcs φ3 IR LEDs
Dimensions	116mm × 116mm × 60mm
Weight	0.25KG (IP Camera Only); 0.4KG (with Packing Box)
S+265:	Tiandy enhanced H.265 codec
ANR:	Auto store video in SD card when NVR disconnected, and upload video to NVR when resumed connection(Only Support Tiandy ANR NVR)

\* The latest product information / specification can be found at <http://en.tiandy.com/>

