



DK 30/T-EN54

- High sound pressure level
- Weather-proof
- BS 5839



EN 54-24:2008
Ref. Nr.: 003-13
ID-Code: SAA-LS03
1438-CPR-0242

ic audio GmbH, Boehringerstraße 14a,
D-68307 Mannheim, Germany

CE-Symbol gemäß Richtlinie 93/68EWG

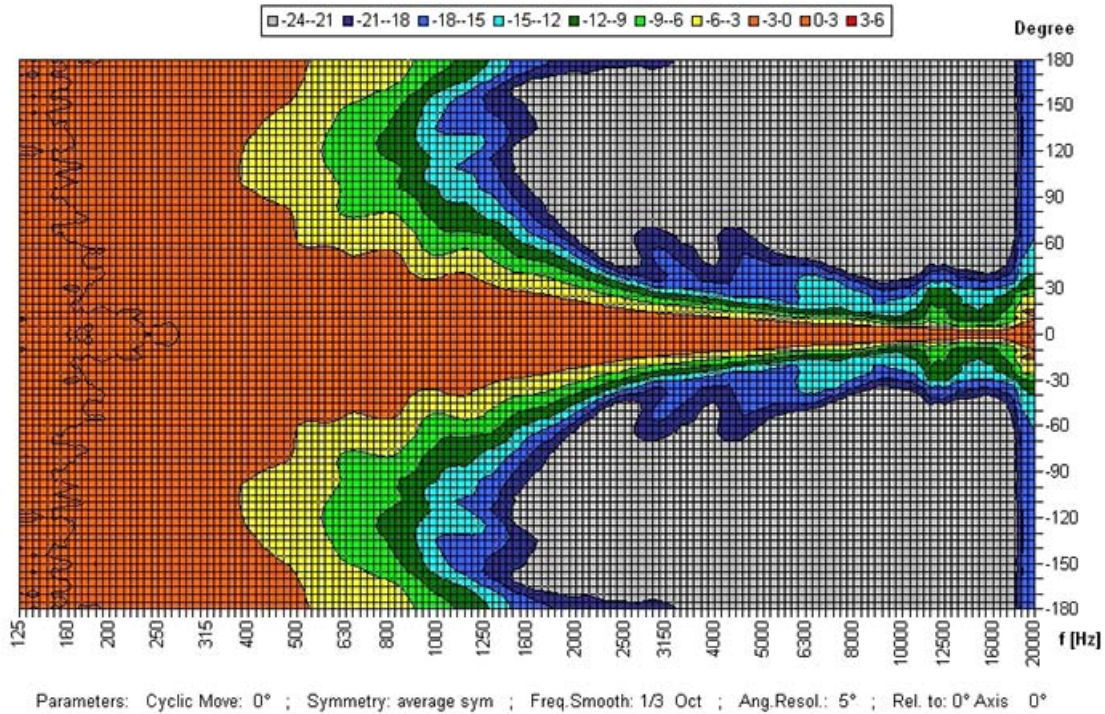
The 30W powered speaker is equipped with a 100V line transformer with 4 power adjustments, also low-impedance operation (20 ohm) is possible. The impact-resistant ABS housing UL94V0 in RAL 7035 guarantees long-term stability. For additional reliability, a ceramic block and a thermal fuse is provided in a junction box.

The speaker is also secured with the high protection class IP 66 against the security risks of environmental influences. The speaker is compliant with the British Standard BS 5839, Part 8.

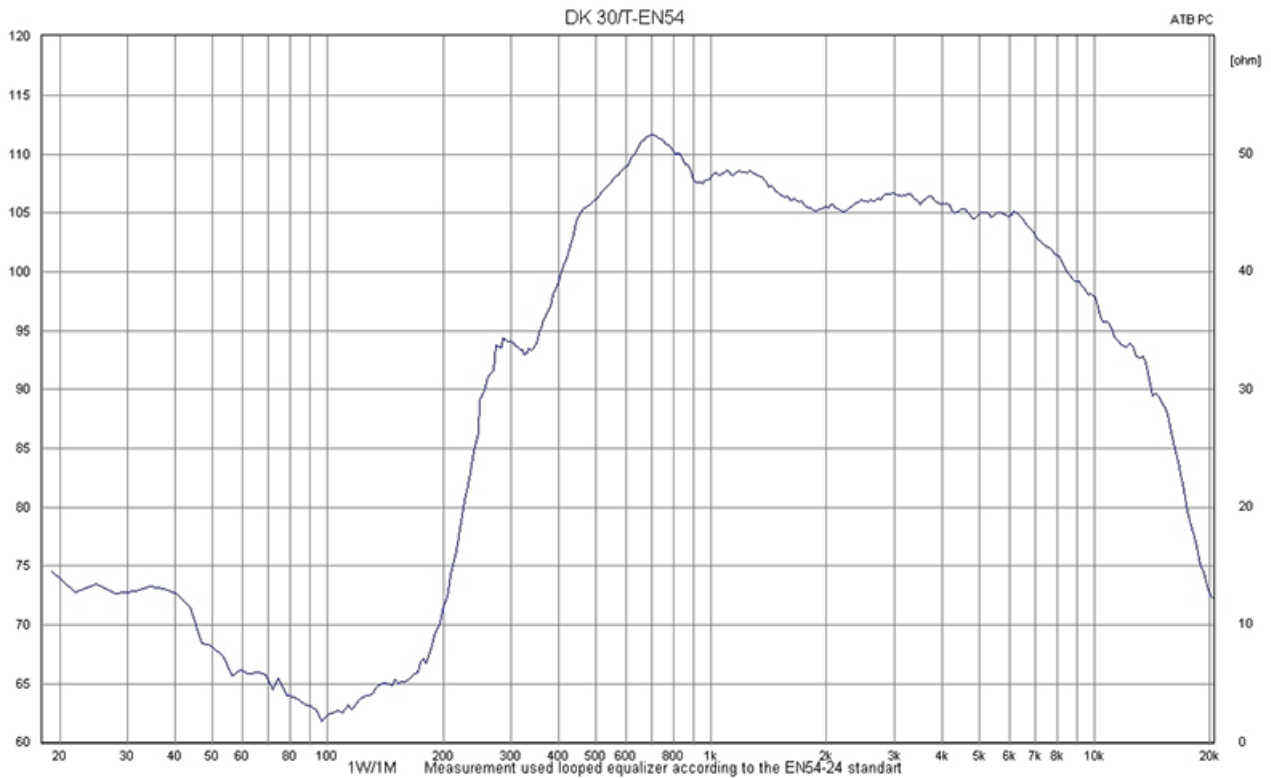
Included is a U-shaped, stainless steel universal mount for flexible installation. Optionally available is a mast bracket (MB) for about 90 - 200mm mast diameter.

Polar Diagrams

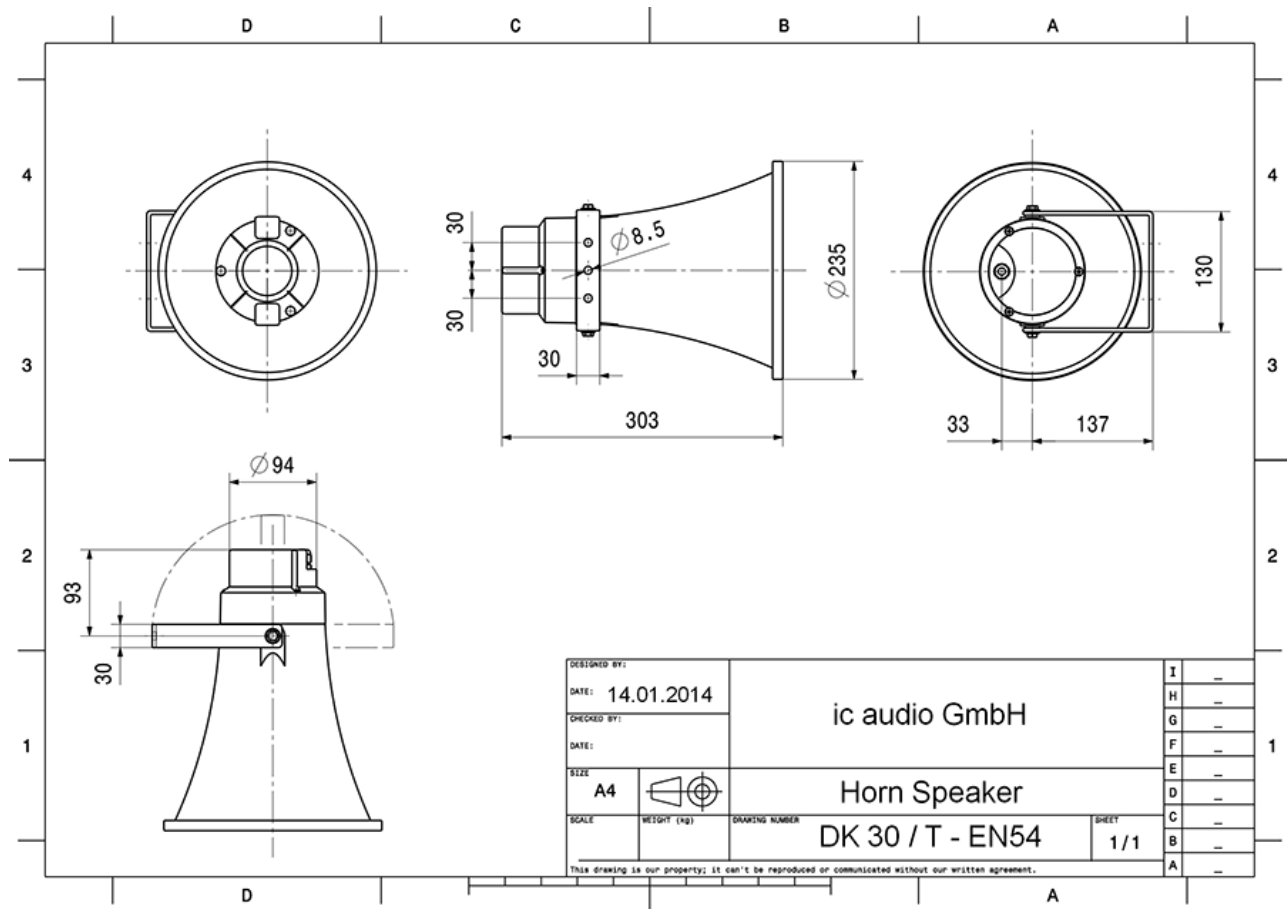
Copyright by Four-Audio GmbH & Co KG Licensed to AAC



Frequency Response Diagrams



Technical Diagrams



Technical Data (Electrical)

| | |
|------------------------------|-----------------------|
| Description | DK 30/T-EN54 |
| Power | 30/20/10/5 (20) W |
| Impedance (100V) | 333/500/1000/2000 ohm |
| Frequency Range | 592 - 6.900 Hz |
| Frequency Response | 250 - 15.000 Hz |
| SPL 1W/1m, peak | 110,1 dB |
| SPL , 1W/4m, peak | 98,1 dB |
| SPL Pmax/4m, peak | 112,8 dB |
| Sensitivity EN54-24, 1W/4m | 85,9 dB |
| Sensitivity IEC 268-5, 1W/1m | 97,9 dB |
| Dispersion -6dB, 500Hz | 155° |
| Dispersion -6dB, 1KHz | 110° |
| Dispersion -6dB, 2KHz | 65° |
| Dispersion -6dB, 4KHz | 35° |

Technical Data (Mechanical)

| | |
|-------------------------------|--------------------|
| Dimensions | 235x303 mm |
| IP Rating | IP66 |
| Weight (net) | 2,27 kg |
| Temperature range | -20 / +90 °C |
| Mounting | Mounting bracket |
| Connector | ceramic block |
| Maximum cable cross section | 8mm ² |
| Max. cable cross section loop | 2x2mm ² |
| Colour | RAL 7035 |

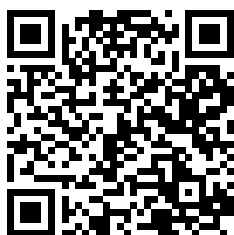
Product Attributes



ic audio loudspeakers are tested and classified according to the IEC standard 60529 (degree of protection by enclosure) against the penetration of foreign objects and moisture. The classification is conforming to standards through characterization with a fixed code. This code consists of the letters IP (International Protection) followed by two digits. The first digit indicates the degree of protection against dust and the second digit the degree of protection against water. Please note that the testing of the products has been carried out in laboratory conditions which are not always 100% comparable with the conditions of different installation environments. This protection can be reduced due to normal wear and tear depending on the installation environment. Therefore our warranty does not cover any damage caused by liquids.

Measurements according to DIN IEC 268-5 | RoHS compliant (2011/65/EU)

The IP rating specified is based on ic audio test results, not on CNBOP-PIB test results. Certification only verifies the minimum requirements for EN54-24 compliance.



Article Nr.: 20102188

Packing Unit: 6

