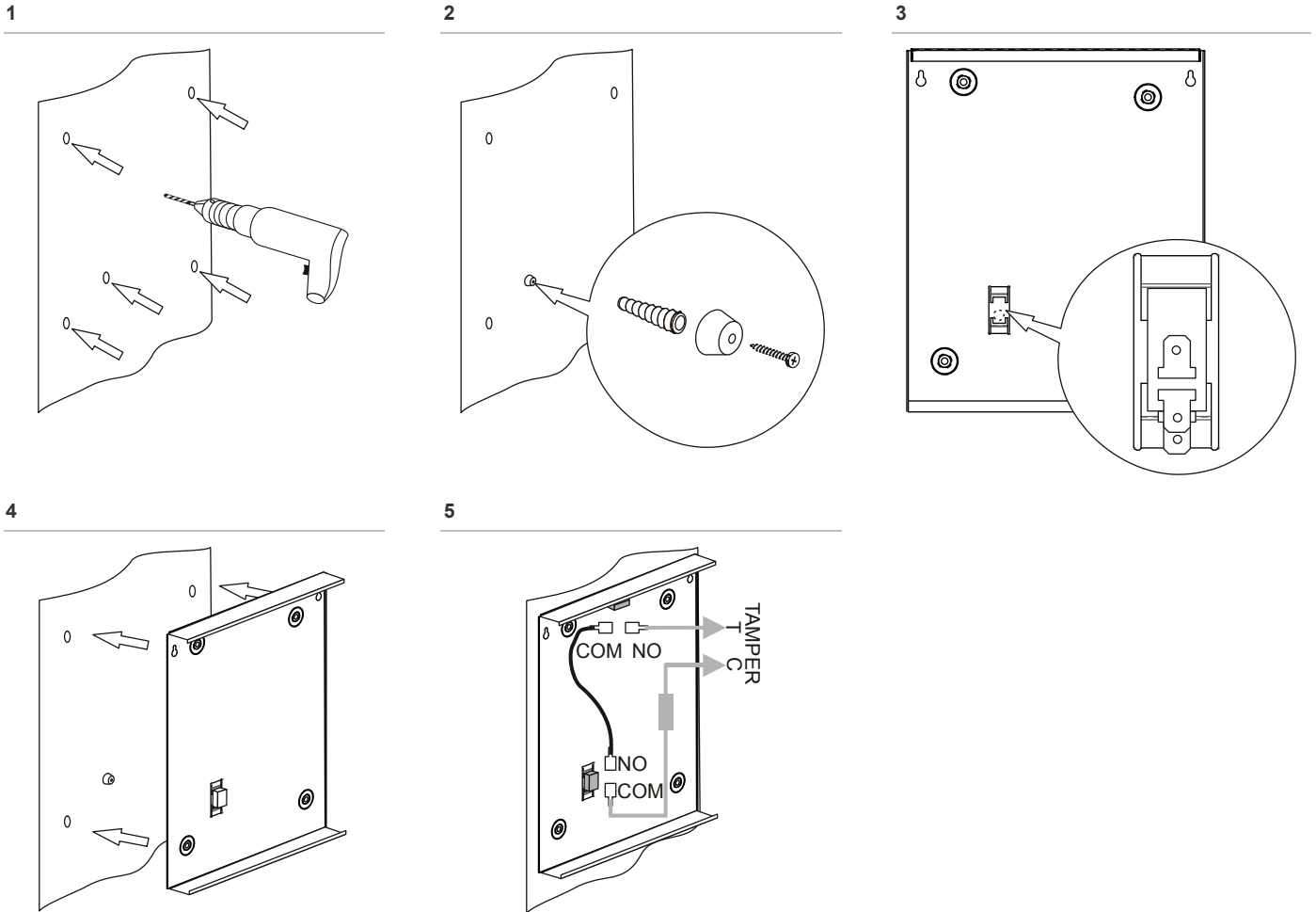


ATS-MM-TK Pry-off Tamper Kit Installation Sheet

EN



EN: Installation Sheet

Description

ATS-MM-TK is a pry-off tamper kit for Advisor Advanced ATS1000A-MM and ATS2000A-MM control panels.

Installation

Follow the steps shown in Figures.

Contact information

www.utcfireandsecurity.com or www.interlogix.com

For customer support, see www.utcfssecurityproducts.eu

Regulatory information

Manufacturer UTC Fire & Security Americas Corporation, Inc.
1275 Red Fox Rd., Arden Hills, MN 55112-6943, USA

Authorized EU manufacturing representative:
UTC Fire & Security B.V.
Kelvinstraat 7, 6003 DH Weert, Netherlands

Certification



2002/96/EC (WEEE directive): Products marked with this symbol cannot be disposed of as unsorted municipal waste in the European Union. For proper recycling, return this product to your local supplier upon the purchase of equivalent new equipment, or dispose of it at designated collection points. For more information see: www.recyclethis.info.